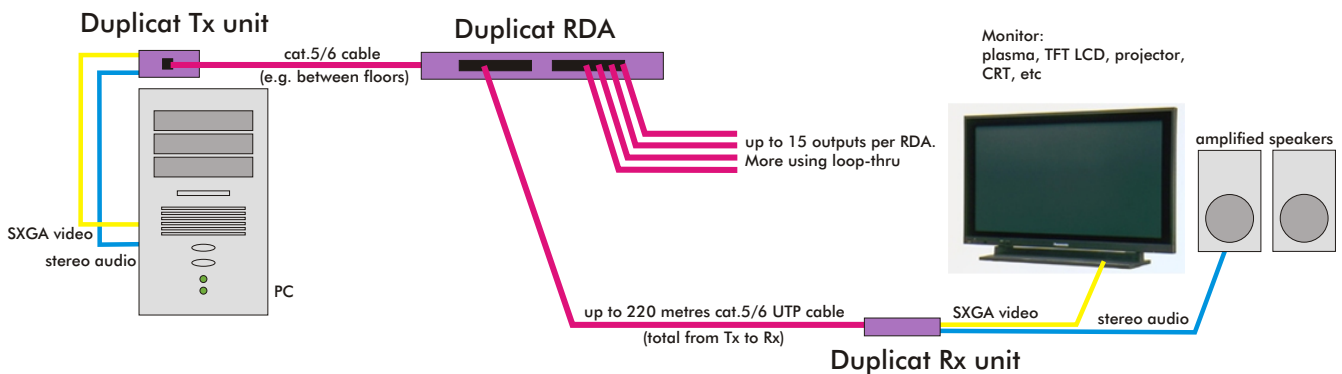


duplicatTM

Duplicat repeater distribution amplifiers (RDA's) enable the transmission of high-resolution images and sound from a PC to many screens up to 220 metres away. The RDA differs from a DA in that it has an RJ45 input. It is intended for use wherever the logical 'star-point' of the DA is remote from the PC - perhaps being located on another floor.



key features

- pin-sharp** - sharp edges and a notable absence of 'smearing' artifacts to 1600 x 1200 pixels
- long distance** - 220 metres of cable at 1280 x 1024 pixels - with high fidelity video and audio
- line-powered** - transmit and receive units can be line-powered from the RDA
- digital stereo audio** - 24-bit stereo digital audio transmission offered as an option (analogue in, analogue out)
- 'lifesaver' option** - unique technology for extending the life of plasma screens and projectors by switching them off when not needed
- cat.6 compatibility** - unique *Infinity-6* skew correction ensures compatibility with all cat.5/cat.5e/cat.6 cables
- 19" rack-mounting** - choose between standalone RDA systems or 1U 19" racks with integrated psu



standalone 8-port RDA
Dimensions:
190mm x 140mm
x 30mm



16-port RDA in 1U 19" rack. Configurable as either 2 x 8-port RDA's or as a 1 x 15-way system (using 1 port as loop-thru)

Duplicat RDA product selector June 2003

	standalone	standalone with audio	19" rack	19" rack with audio
2-way	RDA-02	RDA-02A		
4-way	RDA-04	RDA-04A		
8-way	RDA-08	RDA-08A	RDA-08-19	RDA-08A-19
15-way (8+8)			RDA-16-19	RDA-16A-19

choose from the Duplicat point-point Tx and Rx range to complete the system - lifesaver products available Aug '03

more information:

+44 (0)1962 859988

info@mauvesys.com